



GPU Teaching Kit
Accelerated Computing



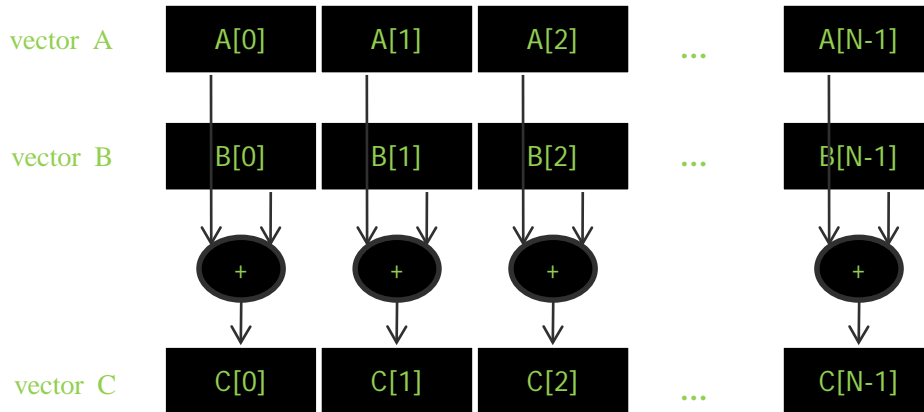
Lecture 2.2 - Introduction to CUDA C

Memory Allocation and Data Movement API Functions

Objective

- To learn the basic API functions in CUDA host code
 - Device Memory Allocation
 - Host-Device Data Transfer

Data Parallelism - Vector Addition Example

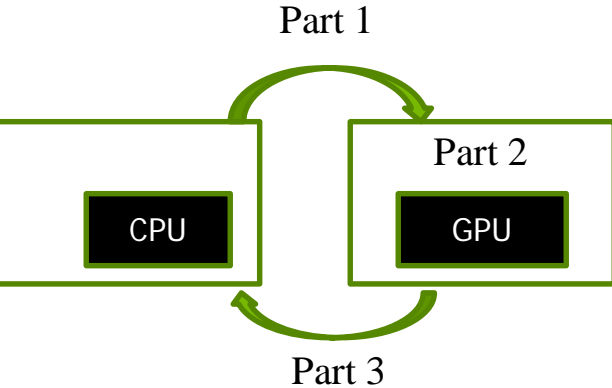


Vector Addition – Traditional C Code

```
// Compute vector sum C = A + B
void vecAdd(float *h_A, float *h_B, float *h_C, int n)
{
    int i;
    for (i = 0; i<n; i++) h_C[i] = h_A[i] + h_B[i];
}

int main()
{
    // Memory allocation for h_A, h_B, and h_C
    // I/O to read h_A and h_B, N elements
    ...
    vecAdd(h_A, h_B, h_C, N);
}
```

Heterogeneous Computing vecAdd CUDA Host Code

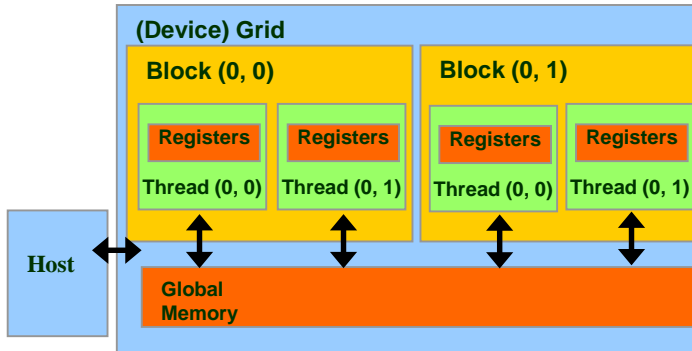


```
#include <cuda.h>
void vecAdd(float *h_A, float *h_B, float *h_C, int n)
{
    int size = n* sizeof(float);
    float *d_A, *d_B, *d_C;
    // Part 1
    // Allocate device memory for A, B, and C
    // copy A and B to device memory

    // Part 2
    // Kernel launch code – the device performs the actual vector addition

    // Part 3
    // copy C from the device memory
    // Free device vectors
}
```

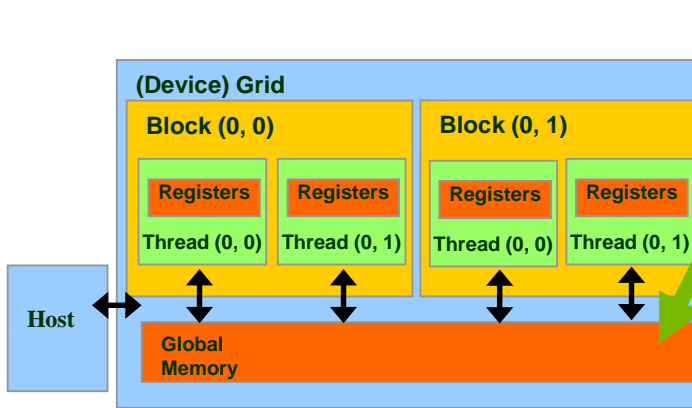
Partial Overview of CUDA Memories



- Device code can:
 - R/W per-thread registers
 - R/W all-shared global memory
- Host code can
 - Transfer data to/from per grid global memory

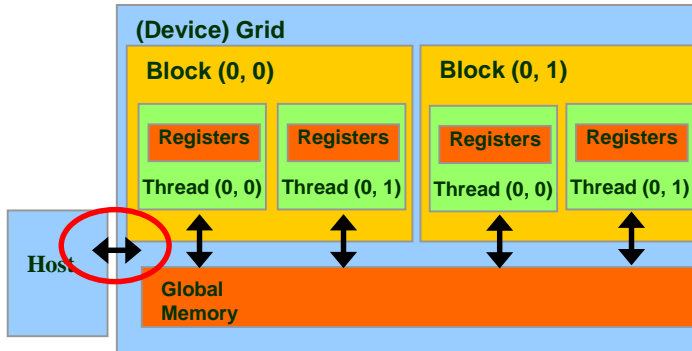
We will cover more memory types and more sophisticated memory models later.

CUDA Device Memory Management API functions



- `cudaMalloc()`
 - Allocates an object in the device global memory
 - Two parameters
 - **Address of a pointer** to the allocated object
 - **Size of** allocated object in terms of bytes
- `cudaFree()`
 - Frees object from device global memory
 - One parameter
 - **Pointer** to freed object

Host-Device Data Transfer API functions



– cudaMemcpy()

- memory data transfer
- Requires four parameters
 - Pointer to destination
 - Pointer to source
 - Number of bytes copied
 - Type/Direction of transfer
- Transfer to device is asynchronous

Vector Addition Host Code

```
void vecAdd(float *h_A, float *h_B, float *h_C, int n)
{
    int size = n * sizeof(float); float *d_A, *d_B, *d_C;

    cudaMalloc((void **) &d_A, size);
cudaMemcpy(d_A, h_A, size, cudaMemcpyHostToDevice);
    cudaMalloc((void **) &d_B, size);
cudaMemcpy(d_B, h_B, size, cudaMemcpyHostToDevice);
    cudaMalloc((void **) &d_C, size);

    // Kernel invocation code – to be shown later

cudaMemcpy(h_C, d_C, size, cudaMemcpyDeviceToHost);
    cudaFree(d_A); cudaFree(d_B); cudaFree (d_C);
}
```

In Practice, Check for API Errors in Host Code

```
cudaError_t err = cudaMalloc((void **) &d_A, size);

if (err != cudaSuccess) {
    printf("%s in %s at line %d\n", cudaGetErrorString(err), __FILE__,
        __LINE__);
    exit(EXIT_FAILURE);
}
```



GPU Teaching Kit

Accelerated Computing



The GPU Teaching Kit is licensed by NVIDIA and the University of Illinois under the [Creative Commons Attribution-NonCommercial 4.0 International License](https://creativecommons.org/licenses/by-nc/4.0/).